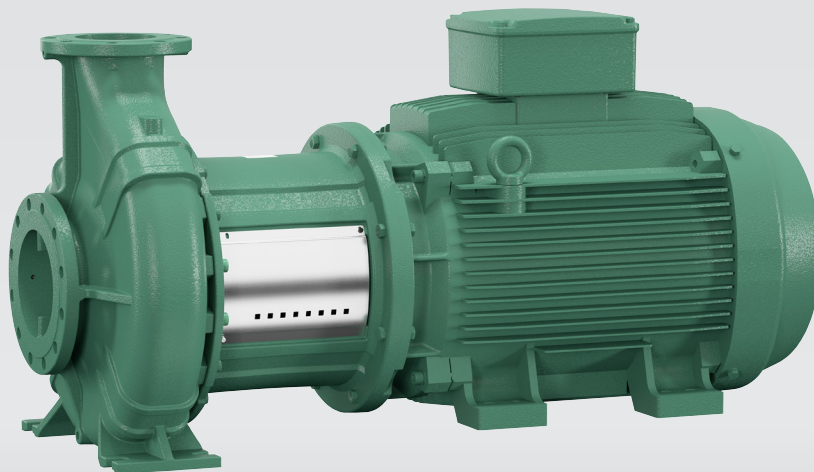


Pioneering for You

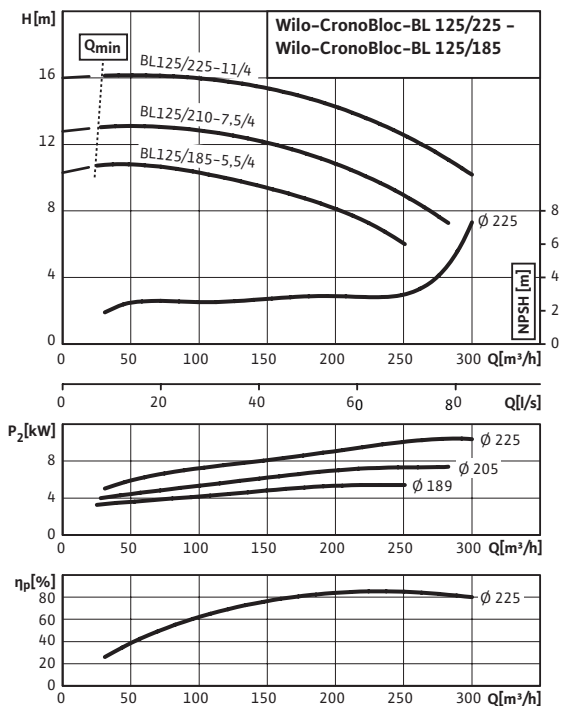
*Range leaflet - Edition 09/2016 - 50 Hz*

## **Wilo-CronoBloc-BL**



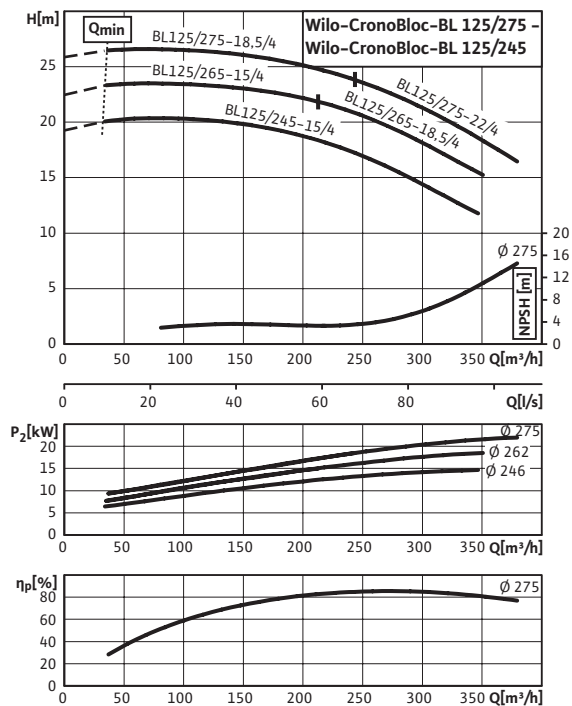
Pump curves

CronoBloc-BL 125/185-5,5/4 - 125/225-11/4 (4-pole, 50 Hz)

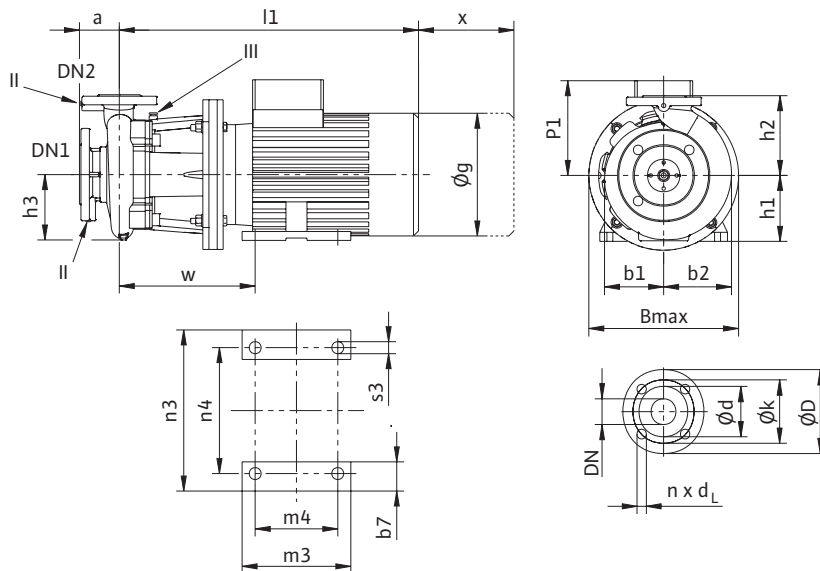


Pump curves

CronoBloc-BL 125/245-15/4 - 125/275-22/4 (4-pole, 50 Hz)



Dimension drawing



Dimensions, weights (4-pole)																			
Wilo-CronoBloc- BL...	Dimensions																	Weight approx.	
	a	B <sub>max</sub>	b1	b2	b7	∅g	H1	H2	H3	l1	M3	M4	N3	N4	p1	s3	w	x	m kg
125/185-5,5/4	140	513	232	280	53	279	132	315	232	659	180	140	256	216	188	12	343	160	185
125/210-7,5/4	140	513	232	280	53	312	132	315	232	710	218	178	256	216	250	12	343	160	194
125/225-11/4	140	513	232	280	60	312	160	315	232	766	256	210	300	254	250	15	404	160	221
125/245-15/4	140	546	252	294	60	312	160	355	250	831	300	254	300	254	250	15	435	170	267
125/265-15/4	140	546	252	294	60	312	180	355	250	831	300	254	300	254	250	15	435	170	267
125/265-18,5/4	140	546	252	294	70	349	180	355	250	893	287	241	339	279	272	15	435	170	328
125/275-18,5/4	140	546	252	294	70	349	180	355	250	893	287	241	339	279	272	15	435	170	328
125/275-22/4	140	546	252	294	70	349	180	355	250	893	325	279	339	279	272	15	435	170	351

Flange dimensions (suction side)					
Wilo-CronoBloc-BL...	Nominal diameter	Pump flange dimensions			
	DN1	∅D	∅d mm	∅k	n x d <sub>L</sub> pcs. x mm
125...	150	285	211	240	8 x 23

Pump flange dimensions - according to EN 1092-2 PN 16; n = number of drilled holes

Flange dimensions (discharge side)					
Wilo-CronoBloc-BL...	Nominal diameter	Pump flange dimensions			
	DN2	∅D	∅d mm	∅k	n x d <sub>L</sub> pcs. x mm
125...	125	250	184	210	8 x 19

Pump flange dimensions - according to EN 1092-2 PN 16; n = number of drilled holes

Motor data (4-pole), minimum efficiency index, article numbers							
Wilo-CronoBloc-BL...	Motor efficiency level	Rated power	Rated current (approx.)	Power factor	Rated speed	Motor efficiency	Art no.
		P <sub>2</sub> kW	I <sub>N</sub> 3~400 V A	cos φ	n rpm	η <sub>m 50%</sub> /η <sub>m 75%</sub> /η <sub>m 100%</sub> %	
125/185-5,5/4	IE3	5.50	11.10	0.79	1450	86.8/89.0/89.5	2142033
125/210-7,5/4	IE3	7.50	14.90	0.81	1450	87.4/89.3/90.4	2142034
125/225-11/4	IE3	11.00	22.00	0.80	1450	90.1/91.6/91.4	2142035
125/245-15/4	IE3	15.00	29.80	0.81	1450	90.7/91.7/92.1	2142036
125/265-15/4	IE3	15.00	29.80	0.81	1450	90.7/91.7/92.1	2142037
125/265-18,5/4	IE3	18.50	34.30	0.83	1450	91.7/92.5/92.6	2142038
125/275-18,5/4	IE3	18.50	34.30	0.83	1450	91.7/92.5/92.6	2142039
125/275-22/4	IE3	22.00	40.20	0.85	1450	92.0/93.0/93.0	2142040

Observe motor name plate data

**wilo**

Pioneering for You

**LENNTECH**  
WATER TREATMENT SOLUTIONS

info@lennotech.com Tel. +31-152-610-900  
www.lennotech.com Fax. +31-152-616-289